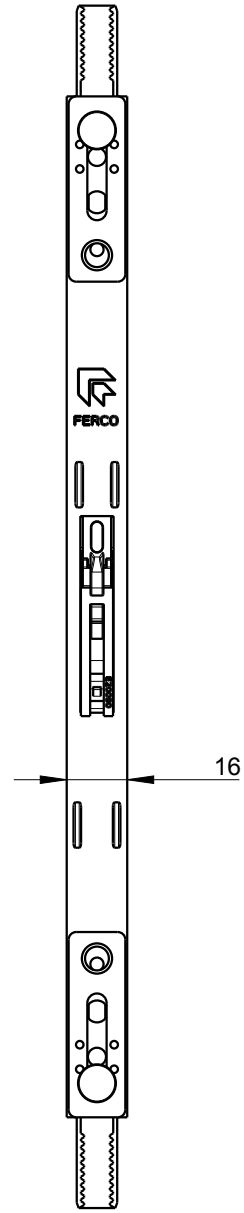
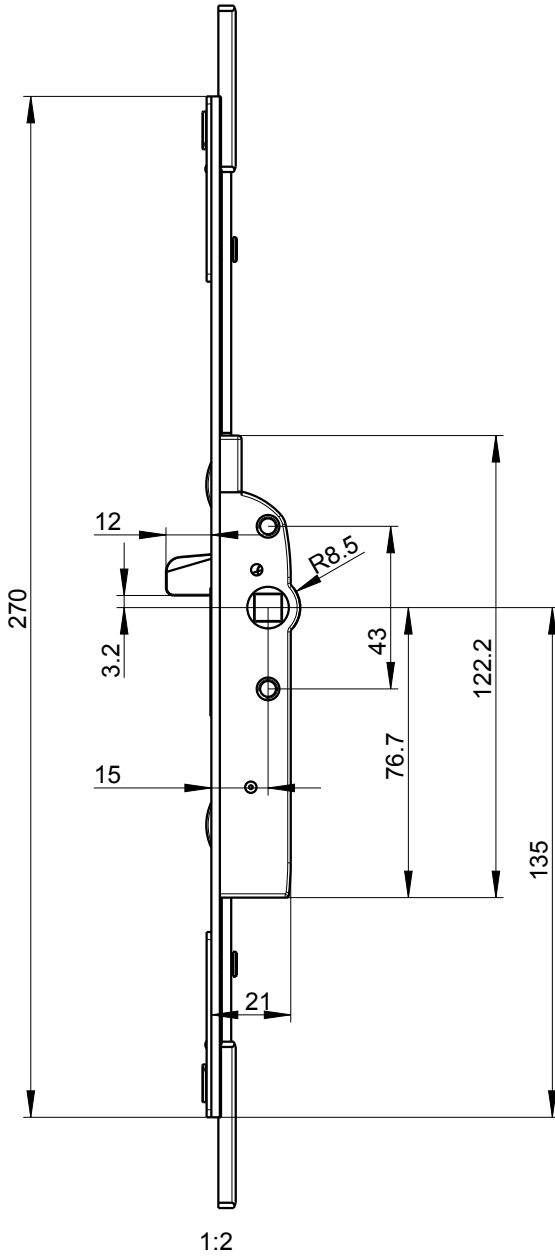


--
--
--
--
--
--
--
--
--
--

Proprietary rights apply in accordance with ISO 16016.



ORD.	REG.
--	--
--	--
--	--
--	--
--	--
--	--

Remark							--				
Tolerance WN 05311		Material -- Profile --			Standard --		Mass Weight (g) --		Surface (cm²) --		
Scale 3:10		Revision: 1	Iteration: 2	Date 10-Oct-13	Level Released	Surface treatment --					
Date --		Mod. No. F10816	First Release F10816	Sig. LA	Ver. --	--	Thermic treatment --				
--					Draft	10/10/2013	LA	Pr-Gr --		Part-No. --	
		Description <b>CREMONE F15</b> <b>AJUST. HAUT ET BAS</b> --				Replacement for --		Size <b>4</b>			
						Drawing No. <b>G-20396-00-0-00</b>		Sheet <b>1/1</b>	SAP --		

20110526