



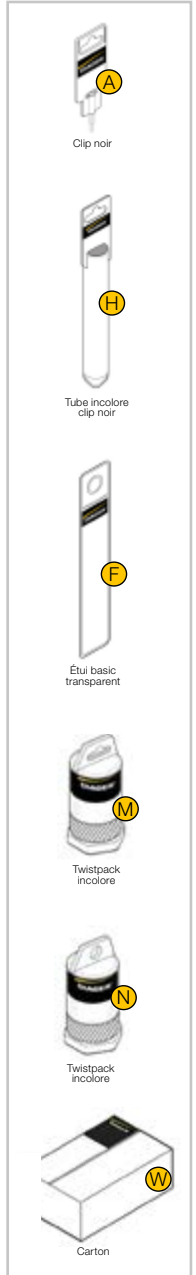
Ref.
310
324
359



Pic



Ø	Lt	Ref.	Gencod	Qt.	Qt.	Pack
Hexagonal 19 mm + gorge de retenue*						
19	400	310H19L0400	3336600190306	1	-	W
Hexagonal 19 mm + extrémité cylindrique Ø 16.5x35 mm*						
19	300	324H19L0300	3336600013148	1	5	H
19	400	324H19L0400	3336600013155	1	5	H
Hexagonal 22 mm + 6 rainures (TE-S)*						
22	360	359D22L0360	3336600173392	1	5	N



318
319
343
396
320
355
347



Burin



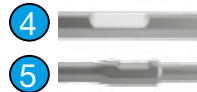
Larg.	Lt	Ref.	Gencod	Qt.	Qt.	Pack
Compatible SDS-plus						
20	240	318L20L0250	3336600063518	1	5	A
40	200	318L40L0200	3336600063525	1	5	A
Compatible SDS-plus & SPIT						
20	250	319L20L0250	3336600063532	1	5	H
Compatible SDS-max						
115	350	343L115L0350	3336600063570	1	5	A
24	280	343L24L0280	3336600063549	1	5	A
24	400	343L24L0400	3336600061514	1	5	A
24	600	343L24L0600	3336600075368	1	5	A
50	360	343L50L0360	3336600063556	1	5	A
80	300	343L80L0300	3336600063563	1	5	A
Compatible SDS-top						
20	270	396L20L0270	3336600083127	1	5	F
40	250	396L40L0250	3336600083134	1	5	F
60	250	396L60L0250	3336600083141	1	5	F
Hexagonal 19 mm + gorge de retenue*						
24	400	347L24L0400	3336600190313	1	-	W
Hexagonal 19 mm + extrémité cylindrique Ø 16.5x35 mm*						
24	300	320L24L0300	3336600063587	1	5	H
24	400	320L24L0400	3336600063594	1	5	H
80	300	320L80L0300	3336600063617	1	5	W
Hexagonal 22 mm + 6 rainures (TE-S)*						
28	360	355L28L0360	3336600173408	1	5	N



354
393



Pic spécial brise béton



Ø	Lt	Ref.	Gencod	Qt.	Qt.	Pack
Hexagonal 28 mm + méplat						
28	400	354H28L0400	3336600171848	1	-	M
Hexagonal 30 mm + extrémité cylindrique Ø 24x55 mm						
26	400	393D24L0400	3336600083233	1	5	H



341
394






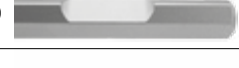

Burin spécial brise béton



Larg.	Lt	Ref.	Gencod	Qt.	Qt.	Pack
Hexagonal 28 mm + méplat						
32	400	341L32L0400	3336600173385	1	-	M
Hexagonal 30 mm + extrémité cylindrique Ø 24x55 mm						
32	400	394L32L0400	3336600083219	1	5	H
75	400	394L75L0400	3336600083202	1	5	W

* Sur commande

Compatibilité Attachement par Machine

Attachments	Machines	Réfs Machines
<p>1  Hexagonal 19 mm + gorge de retenue pour coiffe anti-poussière</p>	Atlas Copco Bosch Casals DeWalt Etu Hitachi Kango Makita Milwaukee Ryobi Spit	PB14D HSH10 (12312) - USHT0 (11305) Tornado D25940K - D25941K - DW558K S360K DH50SH1 - H45FRV 1400B - 638S - 800S - 900B - 900KS - 900S - 900XS - 950B HM1200B 5335 CH465K - CH466K 400 - 400S
<p>2  Hexagonal 19 mm + extrémité cylindrique Ø 16.5x35 mm</p>	Atlas Copco Bosch Hitachi Makita Metabo Milwaukee Wacker	PB10H - PH11H - PH5H - PHE50H - PHE5H - PHE6H GBH7-650K (11214) - GBH12-60 (11209) - UBH6-35 - UBH6-35D - USH6 DH38YA - DH38YF - DH40FA - DH40FB - DH40FR - DH50SB - DH50SBK HM0810B - HM1140C - HM1242C - HR3520B - HR3850B - HR4040C - HR5000 BH1130S - BH1131S - BH6030S - RH66 - RH99 - RH99X 5311 - 5312 - 5316 - 5317 - 5343 - 5344 - 5347 - 5348 - 5352 - 5353 - PH11H - PH40H EHB11BLS
<p>3  Hexagonal 22 mm + rainures (TE-S)</p>	Hitachi	TE805 - TE905 - TE905AVR - TE1000AVR - TE1500AVR
<p>4  Hexagonal 28 mm + méplat</p>	Bosch DeWalt Hitachi Makita	GSH16-28 - GSH27 - GSH27VC - HSH28 (12314) - USH27 (11304) D25960K - D25980 - D25980K TE3000AVR H65 SD - H70 SD - H85 - H90 SE
<p>5  Hexagonal 30 mm + extrémité cylindrique Ø 24x55 mm</p>	Makita Bosch Hitachi	HM1303B - HM1304B - HM1317CB - HM1500B - HM1800 - HM1801 - HM1810 GSH16-30 H65SB - H65SB2 - H70SA
	Makita	8900N - HM1300 - HM1303 - HM1304 - HM1317C - HM1400 - HM1500