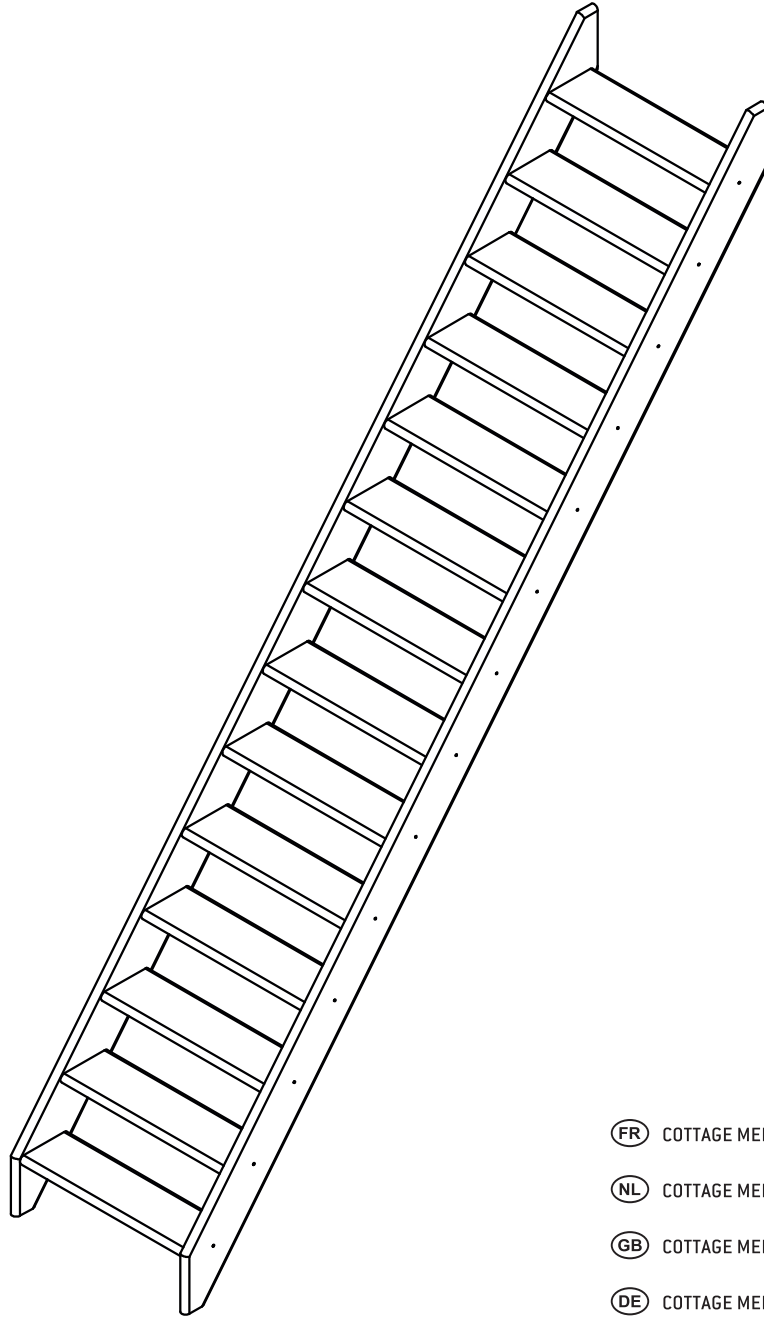
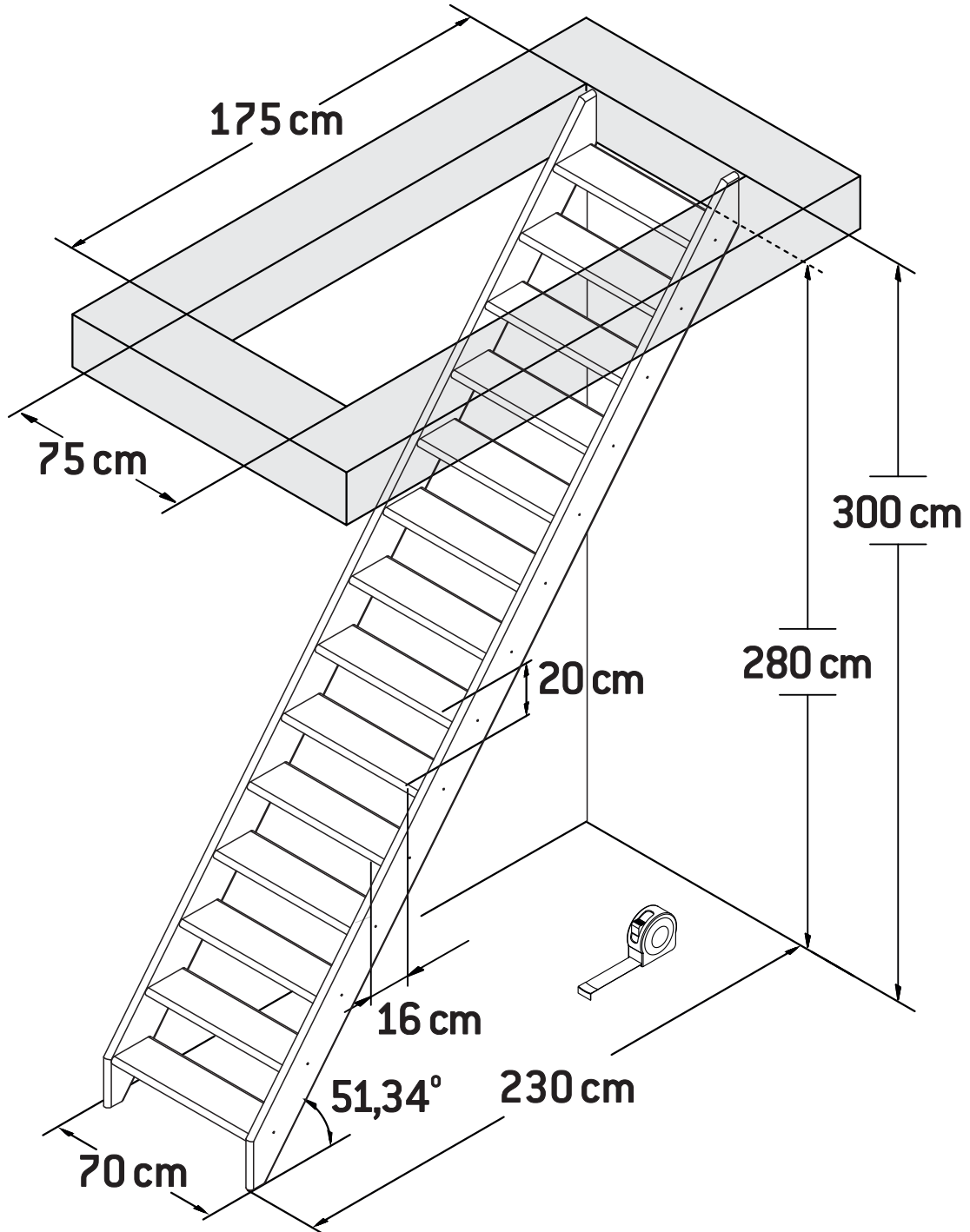


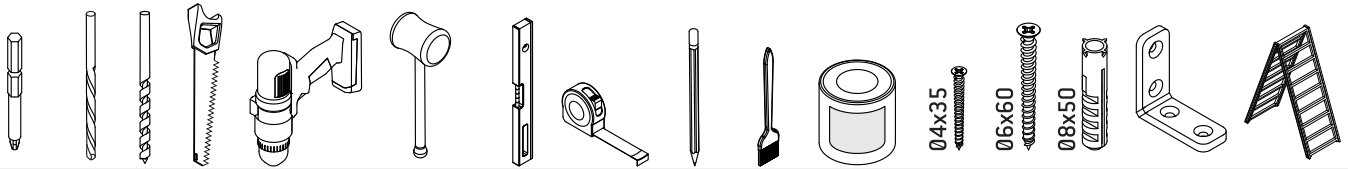
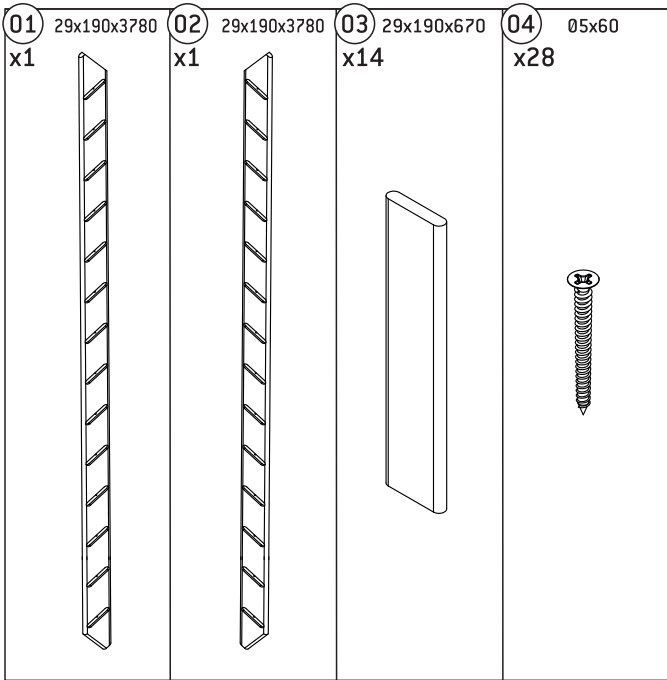


COTTAGE MEDIUM DROIT



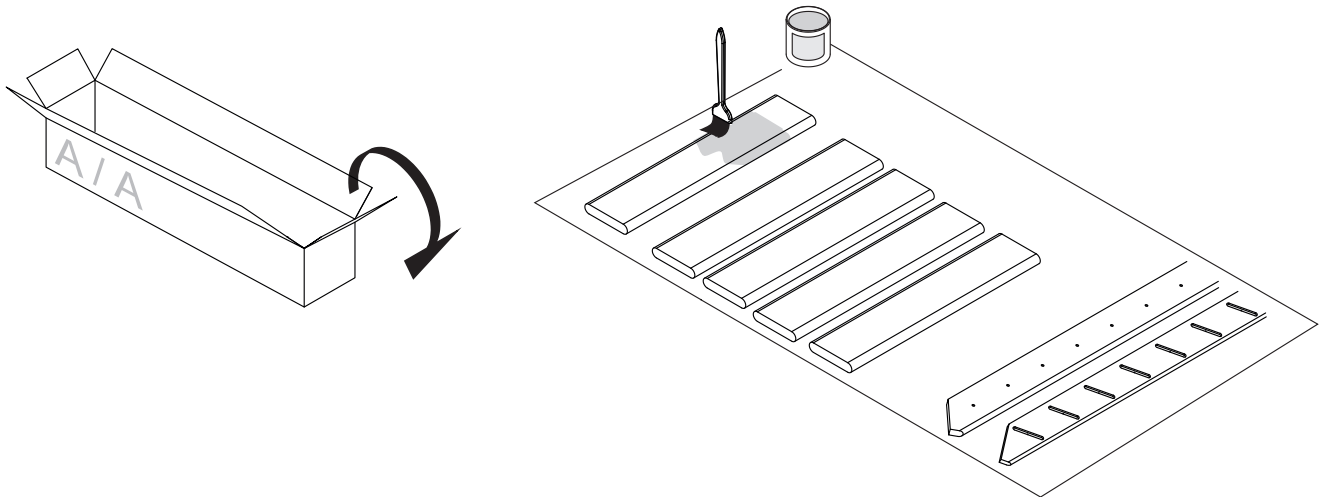
- (FR) COTTAGE MEDIUM DROIT 2 LIMONS+14 MARCHES
- (NL) COTTAGE MEDIUM RECHT 2 WANGEN+14 TREDEN
- (GB) COTTAGE MEDIUM STRAIGHT 2 STRINGS+14 STEPS
- (DE) COTTAGE MEDIUM GERADE 2 WANGEN+14 STUFEN
- (ES) COTTAGE MEDIUM RECTA 2 ZANCAS+14 PELDAÑOS
- (RO) COTTAGE MEDIUM DREAPTA 2 LATERALE+14 TREPTE





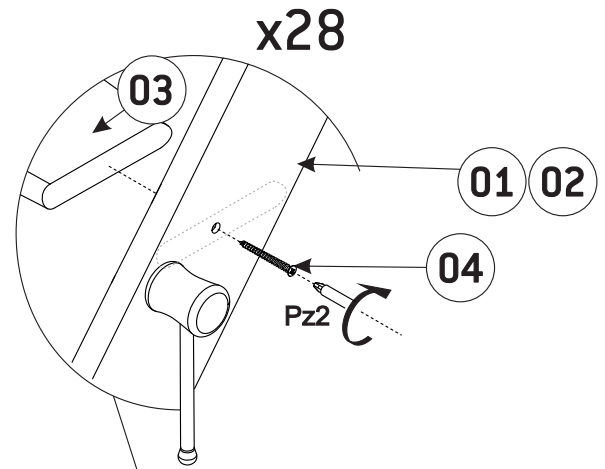
Ph2/3 010 04
Pz2/3 08 012

1

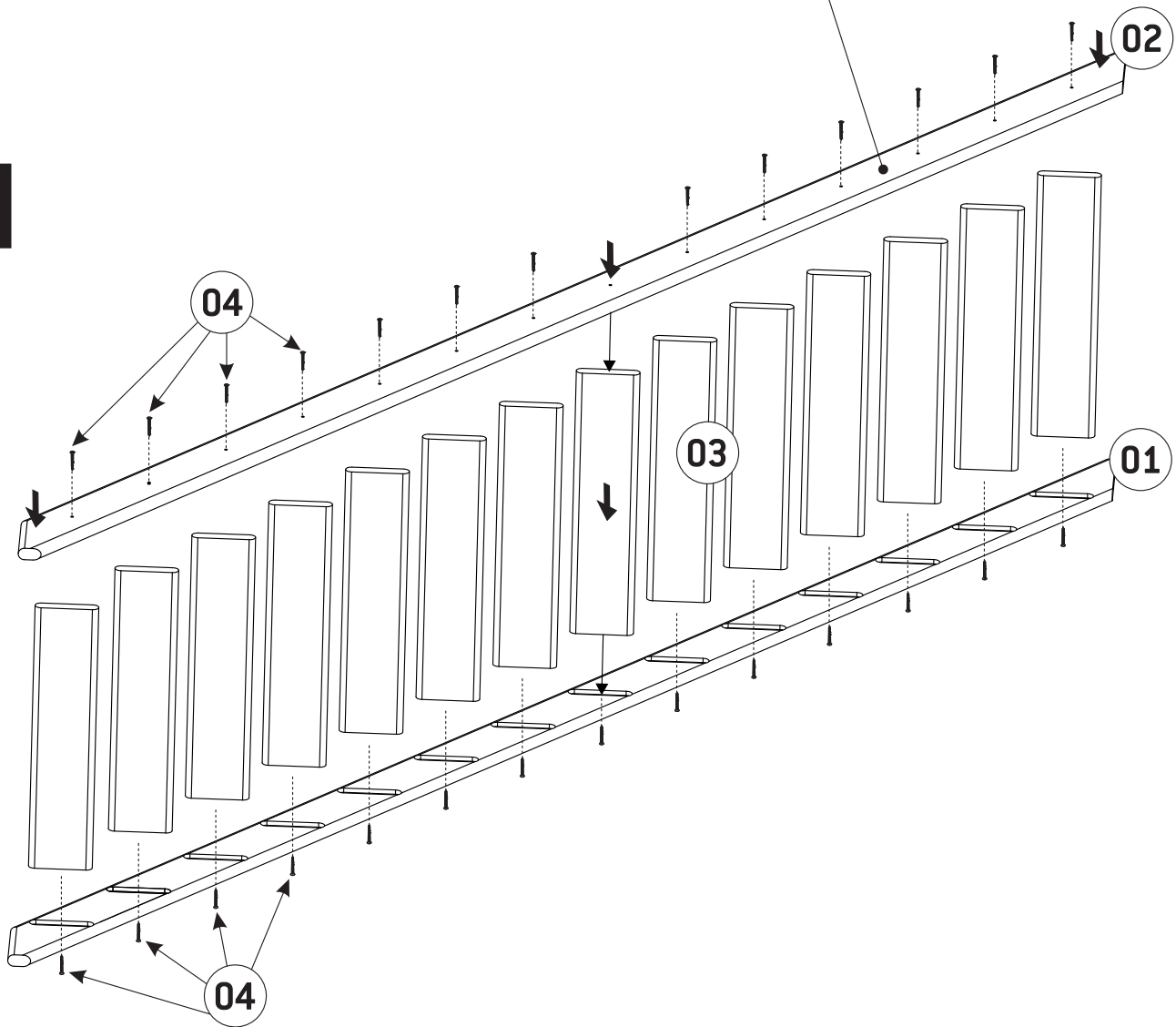




2



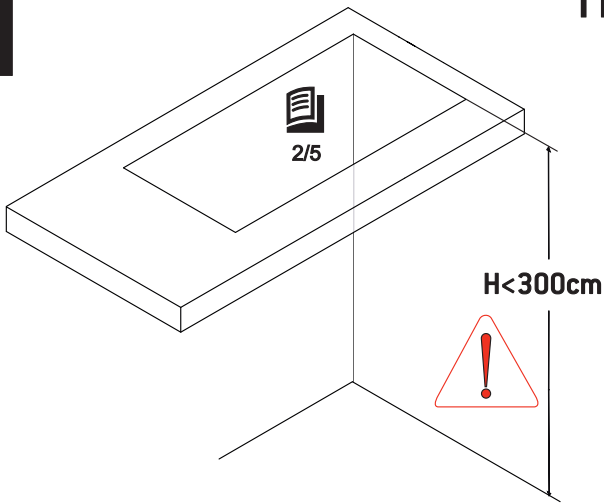
3



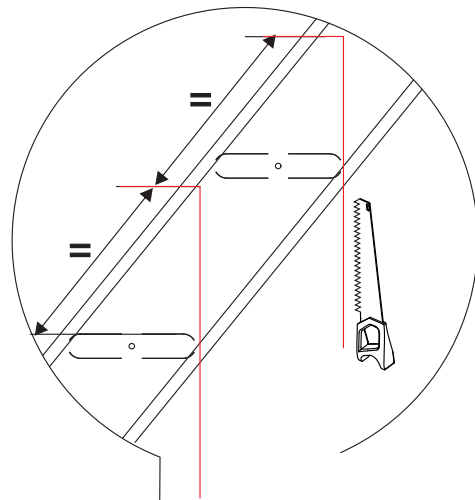


4

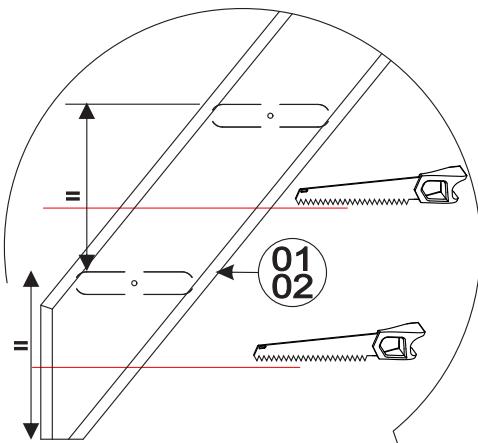
$H < 300 \text{ cm}$



$-1h; -2h$



$-0,3h; -1,5h$



$H = 280 \text{ cm}$

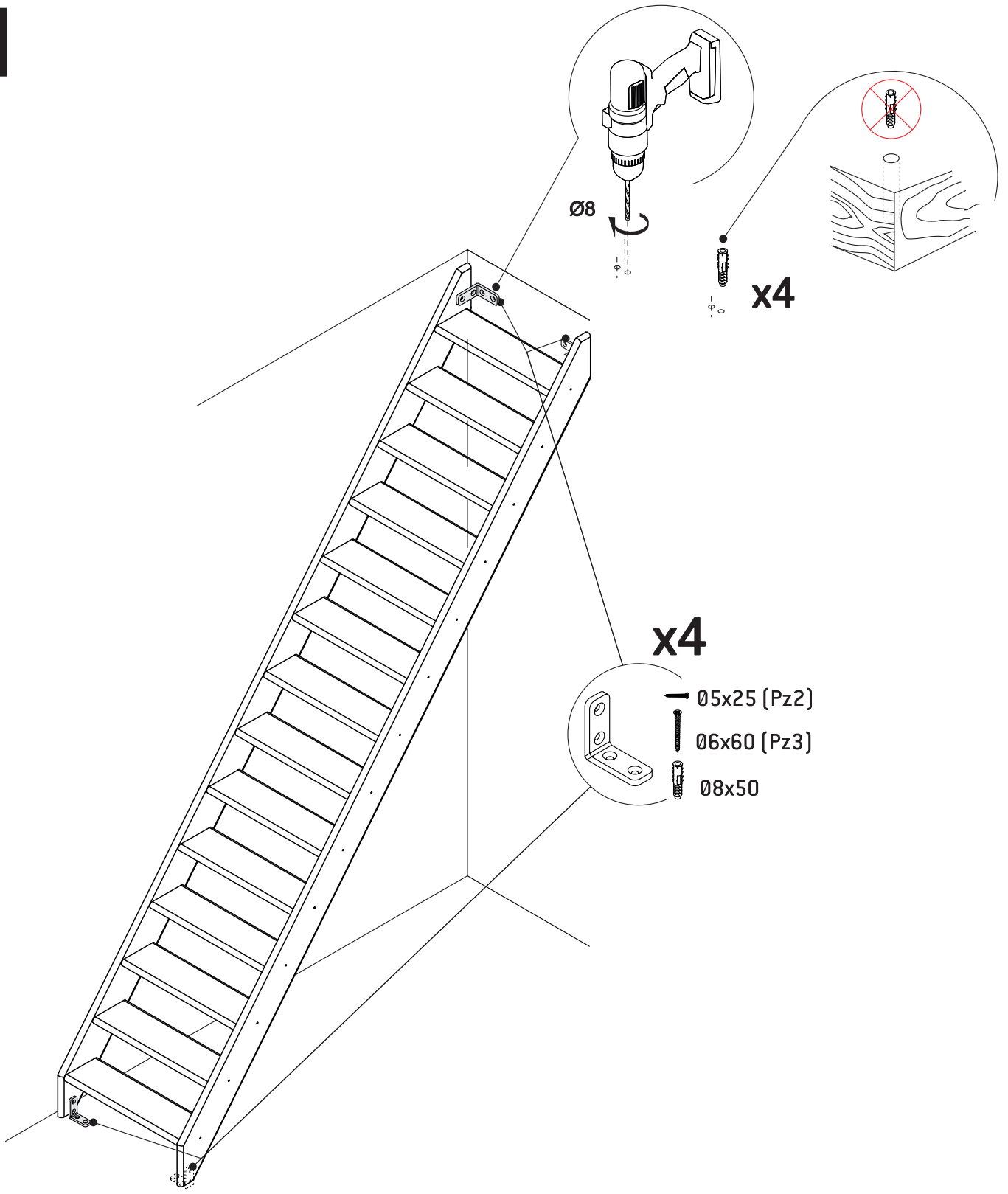
$H = 260 \text{ cm}$

$H = 240 \text{ cm}$

$H < 280 \text{ cm}$



5



RUE GRIMARD, 39 B-6061 MONTIGNIES-SUR-SAMBRE (CHARLEROI) - BELGIUM
TEL: +32/71/25.39.60 FAX: +32/71/25.39.72 E-MAIL: info@sogem-sa.com